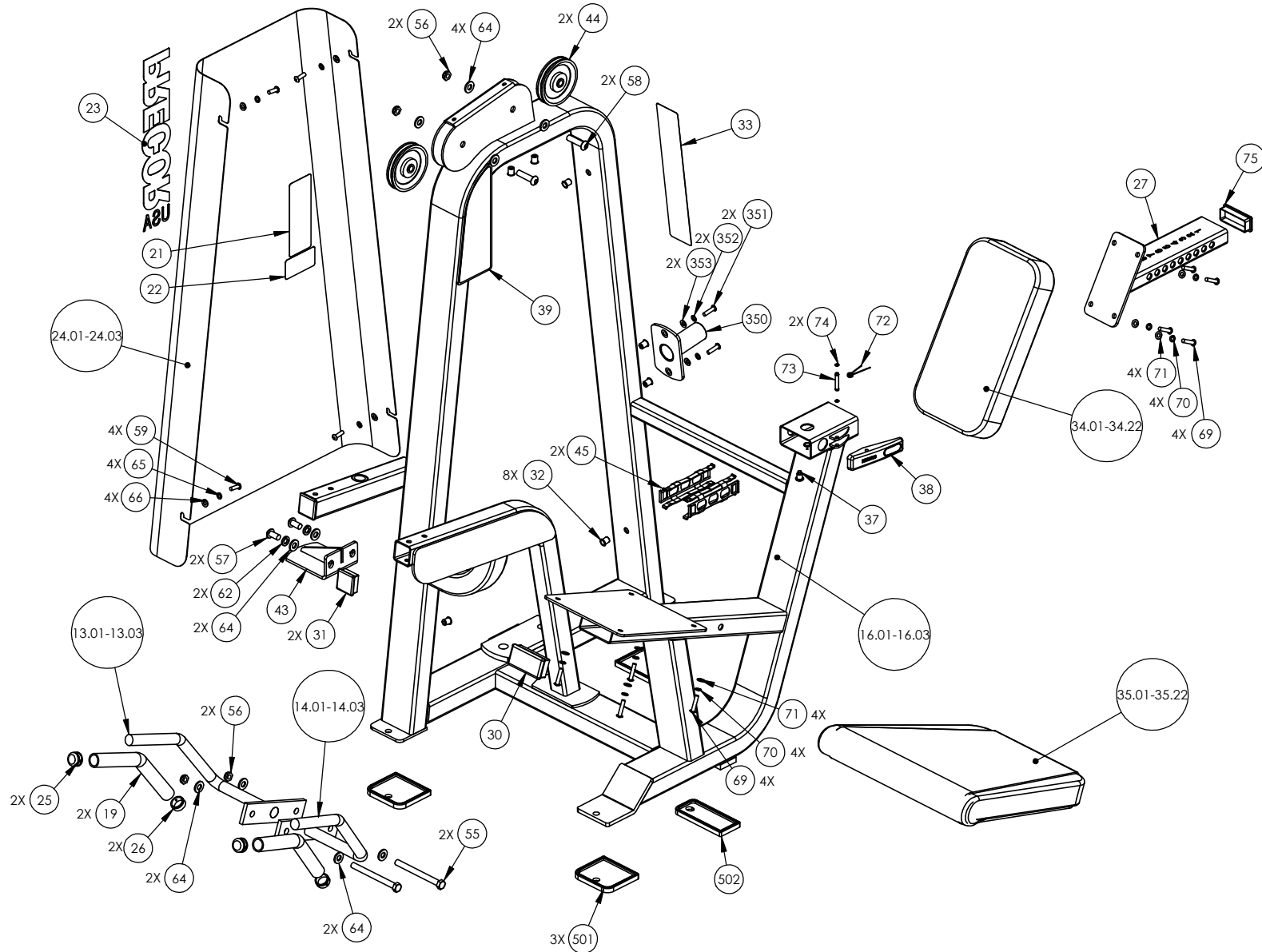
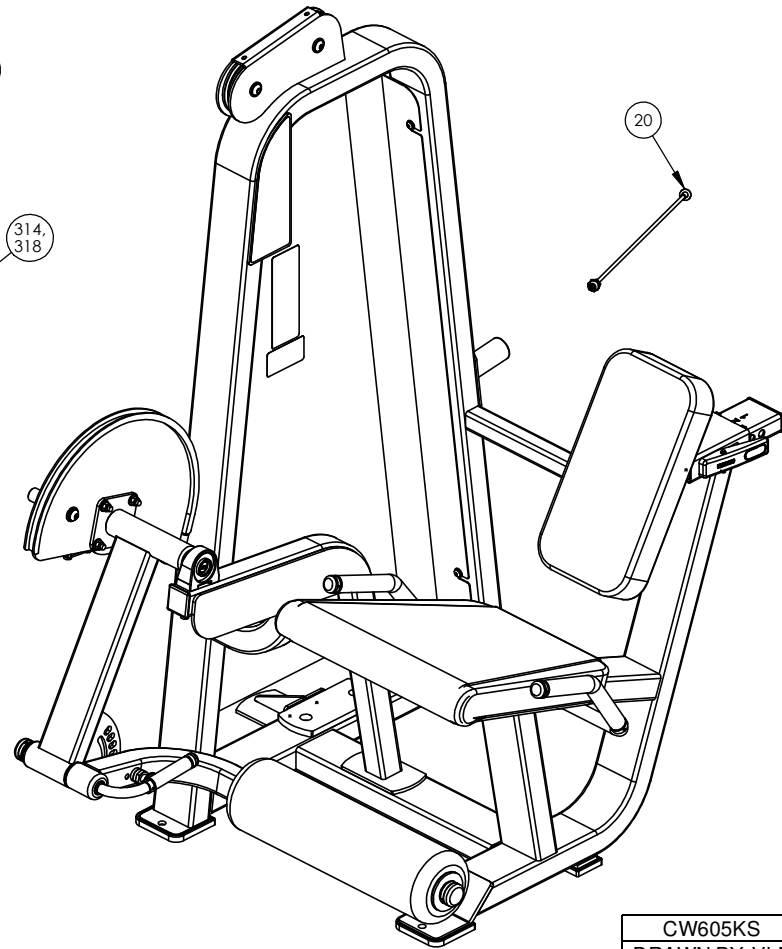
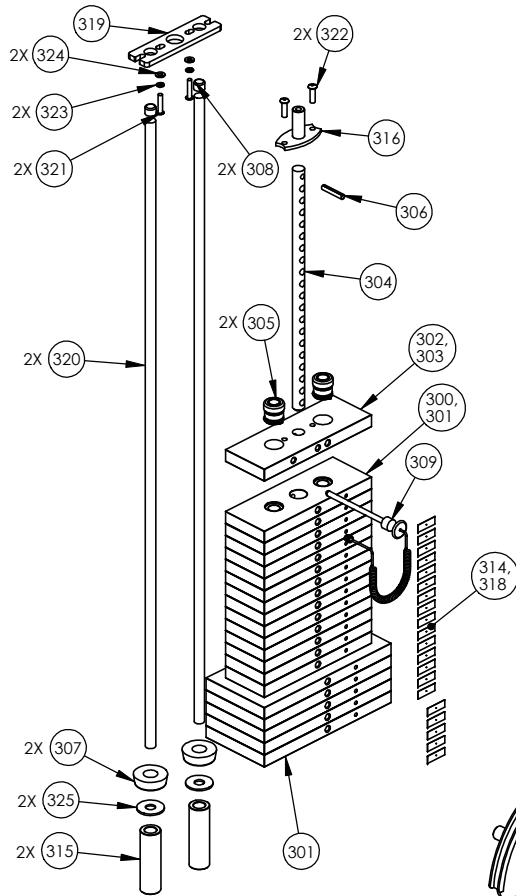


CW605KS	P/N: CW32856-101	SUBREV: B
DRAWN BY: VLE	DATE: 11.11.09	SHEET 1 OF 4



CW605KS	P/N: CW32856-101	SUBREV: B
DRAWN BY: VLE	DATE: 11.11.09	SHEET 2 OF 4



CW605KS	P/N: CW32856-101	SUBREV: B
DRAWN BY: VLE	DATE: 11.11.09	SHEET 4 OF 4

605KS Leg Extension

Part Number	Description	Bubble Number
CWSA1082R-211	ASSY,HANDLE ,RT,SKY WHITE	13.01
CWSA1082R-301	ASSY,HANDLE ,RT,CUSTOM	13.02
CWSA1082R-321	ASSY,HANDLE ,RT,TITANIUM HG	13.03
CWSA1082L-211	ASSY,HANDLE ,LT,SKY WHITE	14.01
CWSA1082L-301	ASSY,HANDLE ,LT,CUSTOM	14.02
CWSA1082L-321	ASSY,HANDLE ,LT,TITANIUM HG	14.03
CW33074-211	ASSY, ARM, CW605KS, SKY WHITE	15.01
CW33074-301	ASSY, ARM, CW605KS, CUSTOM	15.02
CW33074-321	ASSY, ARM, CW605KS, TITANIUM	15.03
CW32823-212	WELDMENT, MAIN FRAME, CW605KS,SKY W	16.01
CW32823-302	WELDMENT, MAIN FRAME, CW605KS, CUST	16.02
CW32823-322	WELDMENT, MAIN FRAME, CW605KS, TITA	16.03
CW33056-301	ASSY, CAM, CW605KS, CUSTOM	17.02
CW33056-321	ASSY, CAM, CW605KS, TITANIUM	17.03
CWGR4612-000	GRIP, RUBBER, 1.00" OD HANDLE, 12.0	19
CWCLGH080-000	ASSY, CABLE, CW605KS	20
CW30010-102	LABEL,WARNING STRENGTH	21
CW30011-102	LABEL,WARNING WEIGHT STACK	22
CW32091-211	ASSY, SHROUD, #5, SKY WHITE	24.01
CW32091-301	ASSY, SHROUD, #5, CUSTOM	24.02
CW32091-321	ASSY, SHROUD, #5, TITANIUM, HG	24.03
CWAC218-901	HANDLE END CAP W/SET SCREWS, DIA 1"	25
CWAC219-902	HNDL RETAINER RNG, W/SS,1.040" I.D.	26
CW32218-712	ASSEMBLY, BACKPAD ADJUSTMENT, 9 HOL	27
CWAC1232-101	LABEL, ROUND, "PIVOT"	28
CWGR2603-625	GRIP,RUBBER, 1" DIA, 3 5/8"	29
CW11311-102	ENDCAP, REC TUBE, 2X4, BLK PLASTIC	30
CW11311-103	ENDCAP, REC TUBE, 2X2, BLK PLASTIC	31
CW12537-109	NUT,INSERT,THIN-NUT,LARGE FLANGE	32
CW31756-101	LABEL, PRECOR USA ICARIAN LINE	33
CWPD1105B-101	PAD,9X17,4HOLES,W/BP,BLACK	34.01
CWPD1204J-101	PAD,14-1/8X18X18.5,4HL,W/BP,BLACK,W	35.01
CWPD1402A-101	PAD,5.625ODX1.5IDX20,BLACK	36.01
CW31784-731	STOP PLUG, BLK ZN	37
CW32460-221	ASSY, RATCHETING LEVER, BLACK	38
CW33373-101	ASSY, PLACARD, 605	39
CW10433-110	BUSHING,FLNGD,1.25ODX1IDX.75,IGUS R	40
CW12406-101	PILLOW BLOCK, BEARING, 2 BOLT	41
CW31807-742	RND BAR STEEL, DIA. 1.00 X (3.75),	42
CW33286-731	WELDMENT, STABILITY FOOT,BLACK ZINC	43
CWAC1009-101	PULLEY, 4 1/2 DIA X 1/2 ID	44
CW33626-902	GUIDE, THCK, TELESCOPING TUBE	45
CWAC221-901	SHAFT END CAP W/SET SCREWS, DIA 1 1	47
CWAC222-901	ASSY, SHAFT END CAP W/SET SCREWS, D	48
CWKDYN038-045	LOCKNUT, NYLON INSERT, FULL, UNC, 3	49
CWWBKN038-007	WASHER, FLAT, TYPE A, SAE, 3/8 ID	50
CWTAYN038-125	SCREW, BUTTON HEAD, BLK XYLAN, 3/8	51
CWTAYN050-100	SCREW, BUTTON HEAD, BLK XYLAN, 1/2	52

CWWALYN050-013	WASHER, SPLIT, 1/2 ID, BLK XYLAN	53
CWWBKN050-010	WASHER, FLAT, TYPE A, SAE, 1/2 ID X	54
CWHCYN050-550	SCREW, HEX,BLK, 1/2-13 X 5 1/2 X 5	55
CWKAYN050-031	LOCKNUT, NYLON INSERT, HALF, UNC, 1	56
CWTAYN050-100	SCREW, BUTTON HEAD, BLK XYLAN, 1/2	57
CWTAYN050-200	SCREW, BUTTON HEAD, BLK XYLAN, 1/2	58
CWTAYN031-100	SCREW, BUTTON HEAD, BLK XYLAN, 5/16	59
CWWALYN038-009	WASHER, SPLIT, 3/8 ID, BLK XYLAN	60
CWCAYN038-275	SCREW, SOCKET HEAD, BLK XYLAN, 3/8	61
CWWALYN050-013	WASHER, SPLIT, 1/2 ID, BLK XYLAN	62
CWWBKN038-007	WASHER, FLAT, TYPE A, SAE, 3/8 ID	63
CWWBKN050-010	WASHER, FLAT, TYPE A, SAE, 1/2 ID X	64
CWWALYN031-008	WASHER, SPLIT, 5/16 ID, BL	65
CWWBKN031-007	WASHER, FLAT, TYPE A, SAE, 5/16 ID	66
CW10433-111	BSHNG,FLNGD,1.5ODX1.25IDX.75,IGUS R	67
CWWNKN138-016	WASHER, FLAT, 1 3/8 ID X 3 OD, 0.15	68
CWTAYN031-150	SCREW, BUTTON HEAD, BLK XYLAN, 5/16	69
CWWALYN031-008	WASHER, SPLIT, 5/16 ID, BL	70
CWWBKN031-007	WASHER, FLAT, TYPE A, SAE, 5/16 ID	71
CW12634-101	SPRING, TORSION 90 DEG X 0.484 X 0.	72
CW31770-742	LATCH PIVOTING PIN, CLR ZN	73
CWAMNN028-003	RING, RETAINING, 2-TURN, SPIRAL, SS	74
CW30501-752	ASSY, POP PIN, LONG, 0.450 DIA NOSE	76
CWGR4806-000	GRIP, RUBBER, .75" OD HANDLE, 6.00"	77
CWAC233-902	HANDLE RETAINER RING W/SET SCREWS,	78
CWAC220-901	HANDLE END CAP W/SET SCREWS, DIA 3/	79
CWSA1120-731	WELDMENT, SPRING STOP, BLK ZN	90
CWAC1133-101	BUSHING, WEIGHT PLATE, LDPE PLASTIC	203
CW30171-742	PIN, WEIGHT STACK, 6.00 INCHES, ZN	226
CW10519-721	PLATE, WEIGHT, 20 LBS, WRKL BLK	279
CW10510-721	ASSY, PLATE, WEIGHT, 10 LBS, WRKL B	300
CW10520-721	ASSY, PLATE, WEIGHT, 20 LBS, WRKL B	301
CW30132-712	SELECTOR STEM, 20 PLATE,0.875 DIA,	304
CW30184-902	ASSY,BARREL,TOP PLATE,ALUMINUM,TALL	305
CWLDNN038-200	SLOTTED PIN SPRING, DIA 3/8 X 2	306
CW12402-101	BUMPER, ID 1.050, BLK RUBBER	307
CW12404-101	CAP, GUIDE ROD,DIA 3/4, BLK	308
CW32937-101	WEIGHT STACK LABELS, 10-250, STAGGE	314
CW33323-721	STACK RISER, 5 INCH, WRINKLE BLACK	315
CW32663-741	WELDMENT, BOLT ON TOP PLATE MINI ST	316
CW32938-101	WEIGHT STACK LABELS, 10-300, STAGGE	318
CWPF1016-732	BAR,,FLAT CR/HR, 3/8 X 2 X 8 1/4, 3	319
CWPF1214-711	GUIDE ROD,STEEL,OD 3/4 X 52 5/8, CH	320
CWTAYN031-150	SCREW, BUTTON HEAD, BLK XYLAN, 5/16	321
CWTAYN038-125	SCREW, BUTTON HEAD, BLK XYLAN, 3/8	322
CWWALYN031-008	WASHER, SPLIT, 5/16 ID, BL	323
CWWBKN031-007	WASHER, FLAT, TYPE A, SAE, 5/16 ID	324
CWWCKN075-015	WASHER, FLAT, TYPE A, WIDE, 3/4 ID	325
CW32938-101	WEIGHT STACK LABELS, 10-300, STAGGE	333
CW31772-741	ASSY, ADD-ON WEIGHT HORN, CLEAR ZIN	350
CWTAYN031-150	SCREW, BUTTON HEAD, BLK XYLAN, 5/16	351
CWWALYN031-008	WASHER, SPLIT, 5/16 ID, BL	352

CWWBKN031-007	WASHER, FLAT, TYPE A, SAE, 5/16 ID	353
CW58004-101	WEIGHT STACK BUSHING KIT, KS SERIES	600
CW32537-102	LITERATURE KIT, GSM ONLY	999